

SA771PU SA771P

SmartMount® Articulating Wall Arm for 37"-71" Flat Panel Screens

From any angle, this wall arm mount reflects remarkable form and function. Extending the flat panel screen up to 27.55" (700mm) from the wall and allowing for a full 180° of side-to-side motion for viewing in any part of the room. Fine-tuning of the installation is simple with its side-to-side screen leveling and 1" (25mm) of vertical adjustment features that help achieve installation perfection. This articulating arm also provides screen centering on the wall plate and integrates a desirable cable management system, centering the TV on the wall when retracted and organizing and protecting the cables at all times. Designed and built in the USA, this mount maintains the same brilliant look as the entire SmartMount® 700 Series line of Articulating and Pivot Wall Arm Mounts.



FEATURES

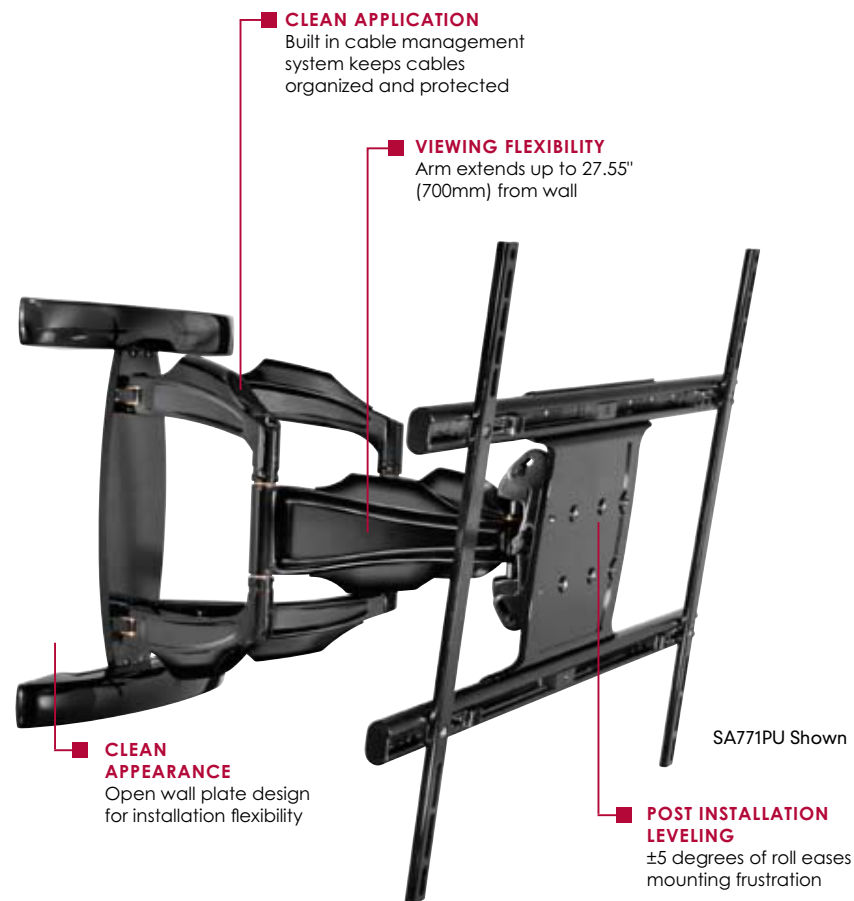
- Universal model SA771PU provides compatibility for 37" to 71" (94-180cm) flat panel screens with mounting patterns up to 44.45" x 26.03" (1129 x 661mm)
- Dedicated model SA771P requires screen adapter to be purchased separately
- Screen can be held as close to the wall as 4.55" (116mm) or be extended as far as 27.55" (700mm)
- Integrated cable management contains, protects and conceals cables for a clean clutter-free look
- One-touch tilt allows for +15°/-5° without the use of tools for easy viewing angle adjustment
- Multi-link construction allows for a full 180° range of motion
- ±5° of roll allows for post installation leveling
- Landscape to portrait flat panel screen orientation without needing to remove the screen
- 1" (25mm) vertical adjustment for screen position fine tuning
- Minimalistic wall plate footprint for increased wall access and improved aesthetics
- Horizontal screen adjustment up to 4.5" (114mm) for perfect screen placement



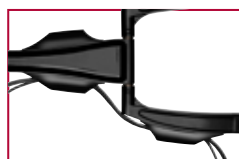
Screen size: 37"-71" (94-180cm)



Max load: 200lb (91kg)



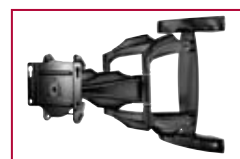
Arm retracts to just 4.55" (116mm) and extends up to 27.55" (700mm) from wall



1" (25mm) clearance per channel for clean and simple cable management



1" (25mm) of vertical adjustment for post-installation fine tuning



SA771P dedicated model requires additional adapter plate for mounting screen



CLICK: www.peerlessmounts.com

CALL: 800.865.2112

FAX: 708.865.2941

peerless®

Model Numbers

WARRANTY: Limited 5-year

SA771PU	Universal Articulating Wall Arm for 37" to 71" (94-180cm) Flat Panel Screens
SA771P	Dedicated Articulating Wall Arm for 37" to 71" (94-180cm) Flat Panel Screens

Product Specifications

	DIMENSIONS (W x H x D)	PRODUCT WEIGHT	LOAD CAPACITY	FINISH	AVAILABLE COLORS
SA771PU	34.38" x 20.23" x 4.55"-27.55" (873 x 514 x 116-700mm)	63lb (28.6kg)	200lb (90kg)	Scratch resistant fused epoxy	Gloss Black
SA771P	19.2" x 20.23" x 2.83"-25.83" (487 x 514 x 72-656mm)	36lb (16.3kg)			

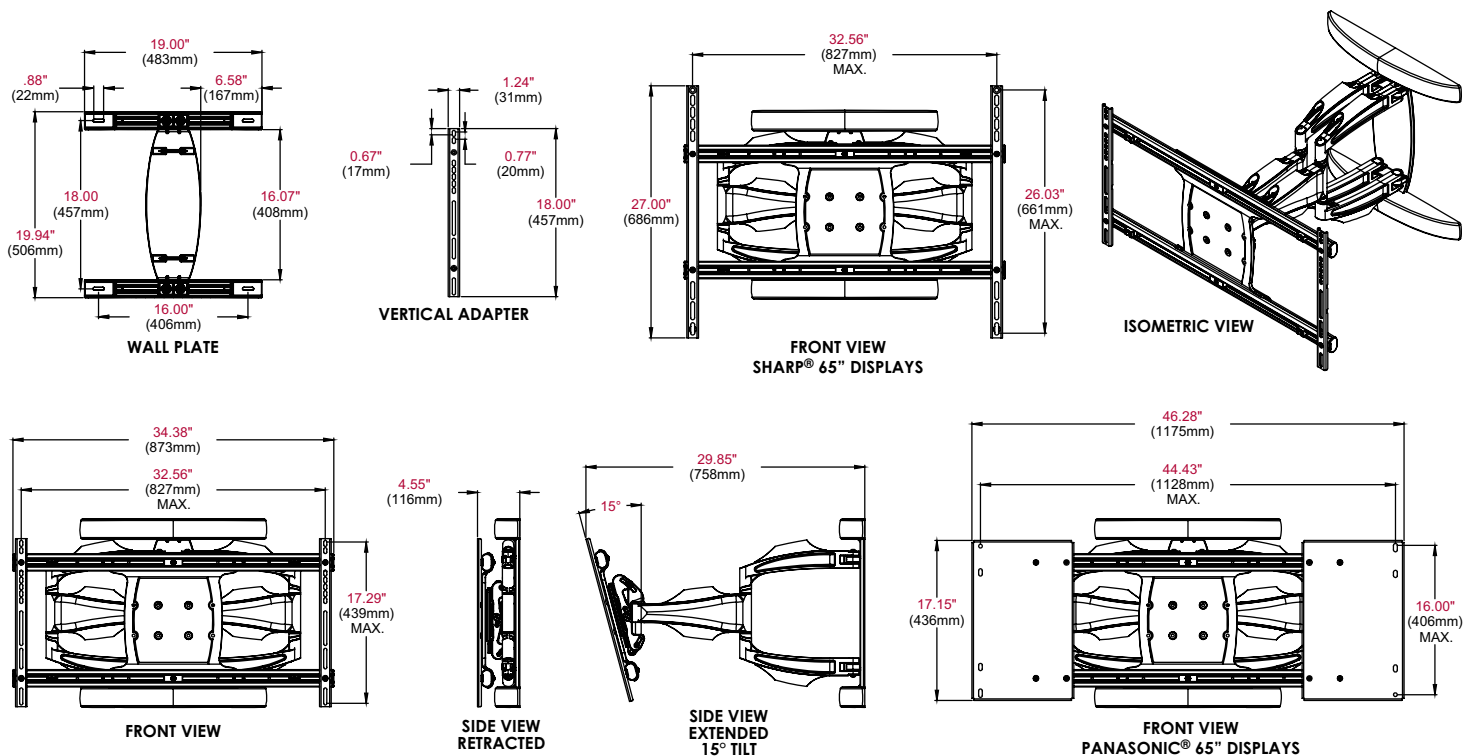
Package Specifications

	PACKAGE SIZE (W x H x D)	PACKAGE SHIP WEIGHT	PACKAGE UPC CODE	PACKAGE CONTENTS	UNITS IN PACKAGE
SA771PU	35.75" x 21.25" x 6.125" (908 x 540 x 156mm)	72lb (32.6kg)	SA771PU: 735029266624	Mount, wall and screen attachment hardware, installation instructions, large screen adapters (universal model only)	1
SA771P		43lb (20kg)	SA771P: 735029270232		

Accessories

ACC925:	Security Fastener Pack
WSP756:	Metal Stud Wall Plate Accessory

All dimensions = inch (mm)



ARCHITECTS SPECIFICATIONS

The SmartMount Articulating Wall Mount shall be a Peerless model SA771P(U) and shall be located where indicated on the plans. It shall feature scratch resistant black or silver fused epoxy finish. Assembly and installation shall be done according to instructions provided by the manufacturer.

Peerless Industries, Inc. ■ 2300 White Oak Circle ■ Aurora, IL 60502 ■ (800) 865-2112 ■ (708) 865-8870 ■ Fax: (708) 865-2941 ■ www.peerlessmounts.com

Visit peerlessmounts.com to see the full line of Peerless LCD/plasma, projector and TV/monitor mounts. © 2010 Peerless Industries, Inc. All rights reserved. LIT-0556 rev.2 **peerless®**